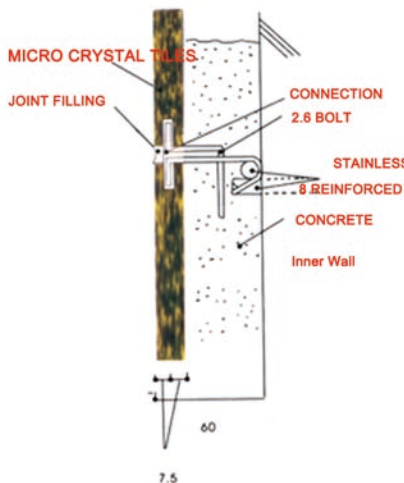
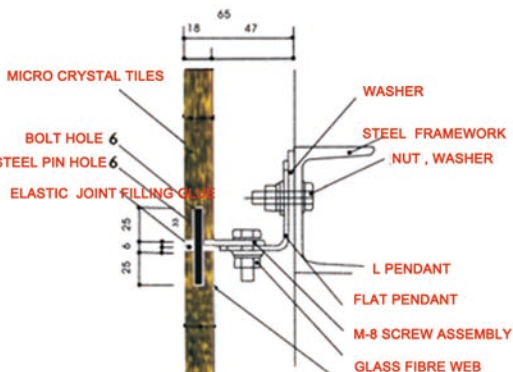


# 微晶石安装准则

## Fixing norms of crystallized glass panel



Inner wall decoration method



Outer wall [reinforcement skeleton footing]decoration method

## Methods of decoration

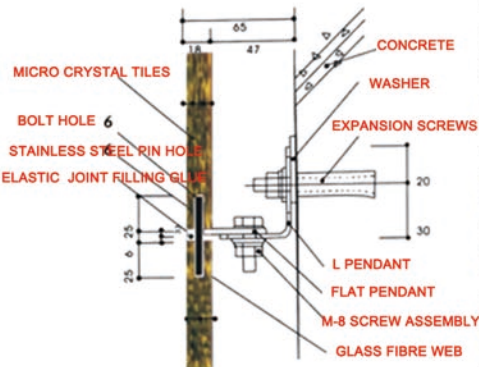
Methods of the decoration of Crystallized Glass panel are different from those of any traditional decoration craft. For the sake of safety and efficiency,decoration should be constructed by professional construction team.

● Taking safety of earthquake resistance and wind resistance into consideration,the dry-hang-type construction method must be applied for outer wall construction.

● For floor decoration,direct-inlaid method must be applied,which is similar to that of ordinary stone slabs.

● For inner wall decoration,hook-fasten method must be applied. After the facing tiles have been fixed, more cement morta must be fastened to strengthen it .

● For the construction of external wall decoration,glass fiber mesh can be attached to the back of facing tiles so as to prevent the falling of patches.



Outer wall [concrete footing]decoration] decoration method